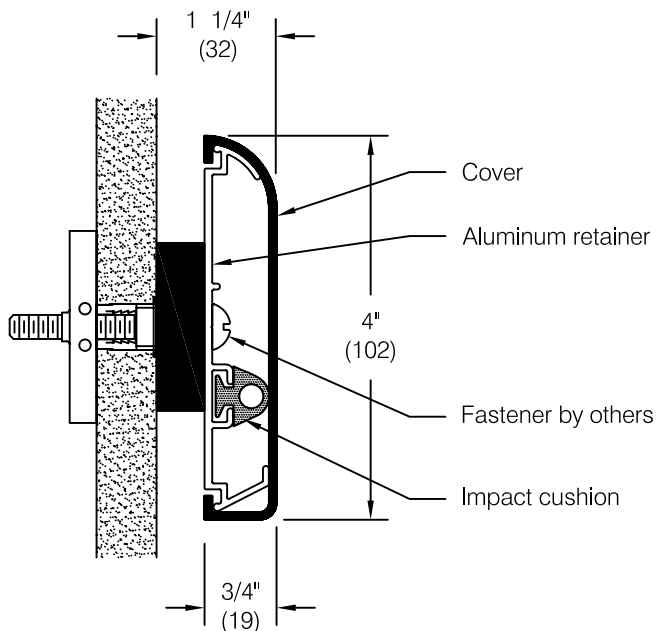
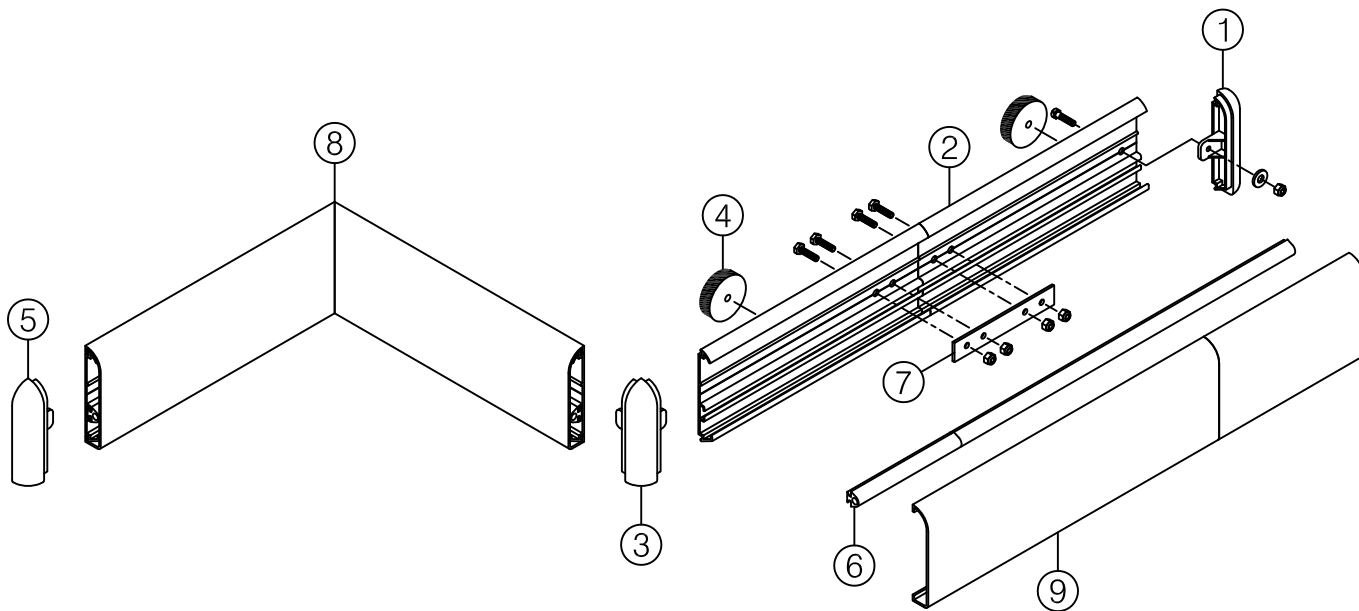


## WG-4EXT Series Wall Guards



This installation instruction is applicable to:

WG-4EXT  
 WGG-4EXT



### Component Part Numbers:

- |                            |                                    |
|----------------------------|------------------------------------|
| 1) ECR-4 Right end cap     | 6) B-100 Impact cushion            |
| 2) WGA-4 Aluminum retainer | 7) SPL-4EXT Splice                 |
| 3) OC-4 Outside corner     | 8) Field mitered inside corner     |
| 4) SP-22 Rubber spacer     | 9) Snap-on cover                   |
| 5) ECL-4 Left end cap      | WGV-4-12-XXX standard texture      |
|                            | WGVG-4-12-XXX grooved and textured |

## WG-4EXT Wall Guard Installation Instructions

**Step 1:** Determine top of wall guard and snap a chalk line 2" below to locate centerline of mounting hardware, see **fig 1a**. A second chalk line may be snapped 1/8" below top of wall guard height as a visual reference for installation of aluminum retainer, see **fig 1b**.

**Important:** Store material in a clean dry place where the temperature is maintained between 50°F (10°C) and 100°F (38°C). Walls and rooms should be maintained at a minimum of 65°F (18°C) for at least 48 hours prior to installation. Acclimate materials to normal building conditions for at least 24 hours before cutting and installing.

**Step 2:** Cut aluminum retainer. See **Cutting Adjustment Diagrams and Schedule** for adjustments to aluminum retainer length at end caps, inside corners, and outside corners. Refer to **Minimum Layout Configurations** for additional information. Aluminum should be mitered to accommodate outside corners that are not 90° and all standard inside corners.

**Important:** All cuts must be square and deburred.

**Step 3:** Using the drill groove provided as a guide, pre-drill clearance holes to locate wall mount fasteners and rubber spacers along the centerline of the aluminum retainer, see **fig 2**. Drill using a #7 (.201") bit for #10 and 3/16" fasteners. See **step 7** and **fig 7b** for optional butt joint using wall mount fasteners and rubber spacers.

*Note:* Drill point fasteners may be used without pre-drilling aluminum on drywall installations having continuous metal backer or studs. Continue to pre-drill for masonry applications or where no backing or stud is available.

**Spacer mounting holes must be located:**

- Approximately 16" on center
- To avoid interference with accessory mounting hardware, see **fig 4**
- 2 5/8" to 4 1/2" on center from end caps, see **fig 3**
- 1/2" to 4 1/2" on center from inside corner miter joints, see **fig 3**
- 2 5/8" to 8" on center from outside corners, see **fig 3**
- To align with horizontal backer plate or vertical studs (metal or wood) in non-masonry wall construction

**Step 4:** Drill clearance holes for attachment of molded accessories by inserting accessory in end of retainer. Press firmly to ensure molded part is seated squarely against the aluminum. Drill through aluminum and existing hole in accessory mounting tab using a #7 bit, see **fig 4**. This will allow a #10 fastener to pass freely through the accessory and the retainer.

**Step 5:** Install flexible impact cushion by sliding it into opening provided in aluminum retainer, see **fig 5**.

**Step 6:** Secure accessory components in place using #10 hex head machine screws. The fastener must be installed with its head against the rearward surface of the aluminum retainer, see **fig 6**. Use a flat washer between nut and accessory mounting tab to prevent damage to molded parts.

**Step 7:** Install a splice plate centered over each butt joint. Match drill splice plate and retainer using a letter "H" or 5/16" bit. Deburr all holes and secure splice plate to retainer using 1/4" hex head machine screws, see **fig 7a**. An alternative splice joint may be accomplished by mounting to the wall with a rubber spacer on each side of the butt joint, see **fig 7b** and **step 8** for wall mount fastener information.

**Step 8:** Align retainer with chalk line, see **step 1**. Fasten aluminum retainer to wall using hardware listed below. Install rubber spacers behind the retainer with mounting hardware passing through the center hole.

**Important:** Begin installation of aluminum at corner conditions and work outward toward end caps.

*Drywall Installation:* Fasten retainer to wall using hardware listed below. To install fasteners in locations with no metal backing or stud use pre-drilled aluminum as a template to mark and drill wall for Toggler® brand toggle bolt or plastic Alligator® insert. Drill in accordance with hardware manufacturer instructions.

*Masonry Installation:* Using the pre-drilled aluminum as a template, mark and drill the wall at all pre-drilled holes to accept plastic Alligator® insert or 3/16" Tapcon® or similar fastener. Drill in accordance with hardware manufacturer instructions.

**Suggested hardware :**

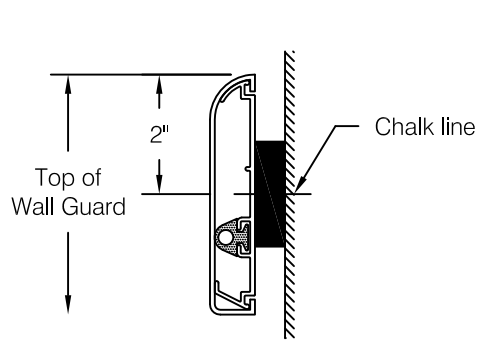
- Drywall with metal backing : #10 Drill point drywall screw or #10 drill point pan head or hex washer head sheet metal screw.
- Drywall without stud or backing : Plastic Alligator® insert with #10 pan head or hex washer head sheet metal screw or 3/16" Toggler® brand toggle bolts with pan head machine screw.
- Masonry : Plastic Alligator® insert with #10 pan head or hex washer head sheet metal screw or 3/16" hex washer head Tapcon®.

**Step 9:** Measure between accessories and cut snap-on cover accordingly. Miter cut the cover for all angles not accommodated by the molded accessories. Cut cover so that it will span aluminum retainer butt joints.

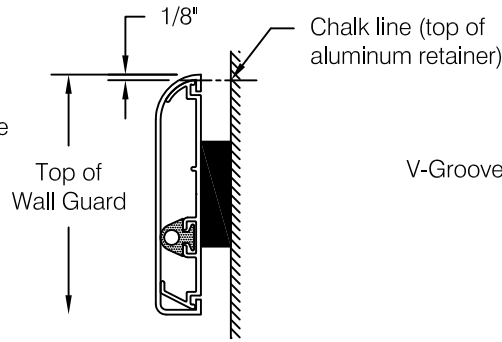
**Important:** All cuts must be square and deburred.

**Step 10:** Snap cover in place over aluminum retainer. Install cover to span butt joints in retainer.

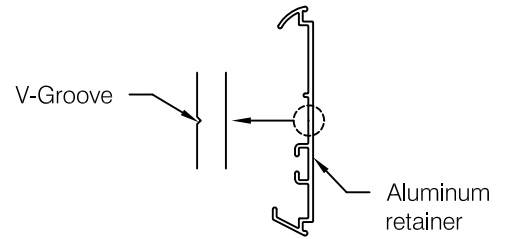
# WG-4EXT Series Wall Guard Installation Instructions



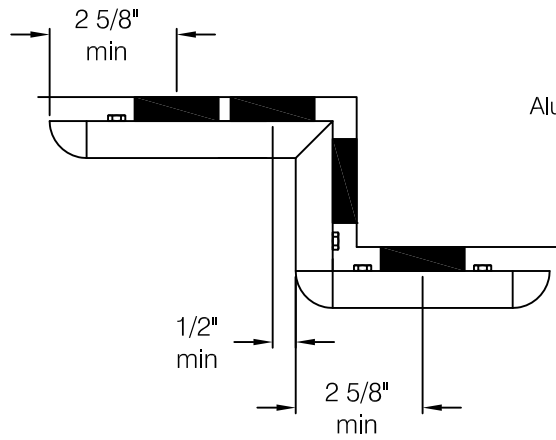
**fig 1a**



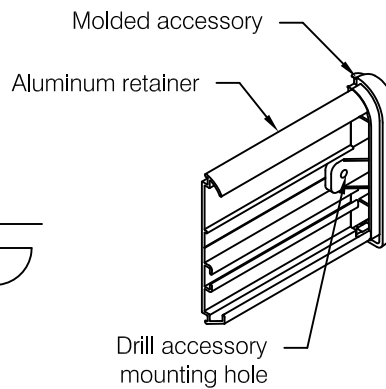
**fig 1b**



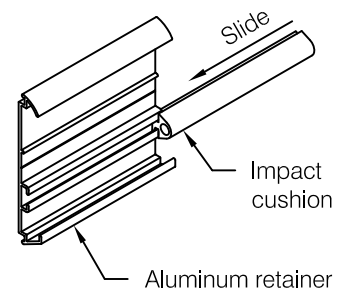
**fig 2**



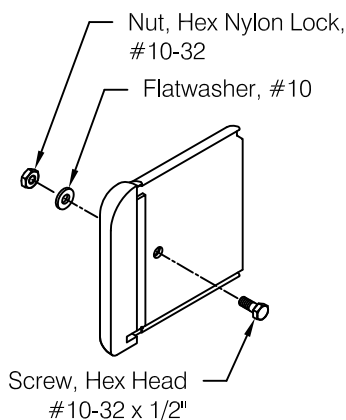
**fig 3**



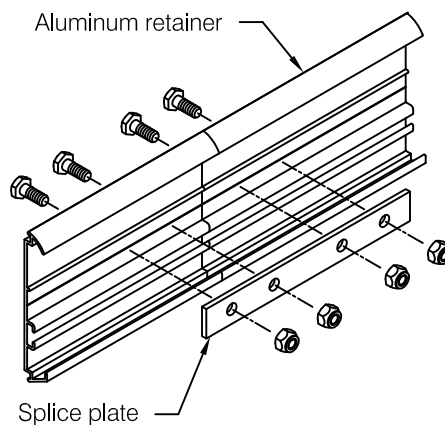
**fig 4**



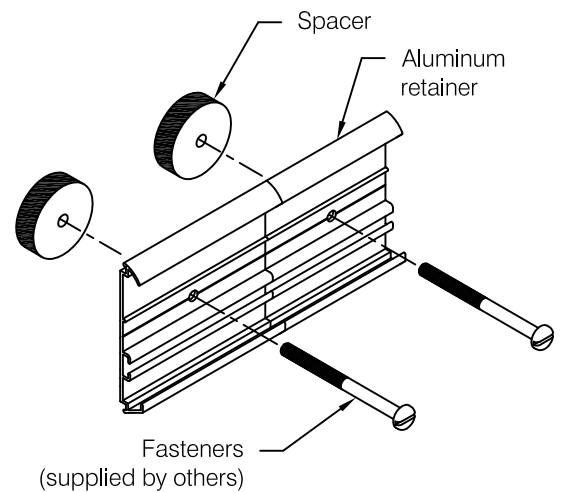
**fig 5**



**fig 6**

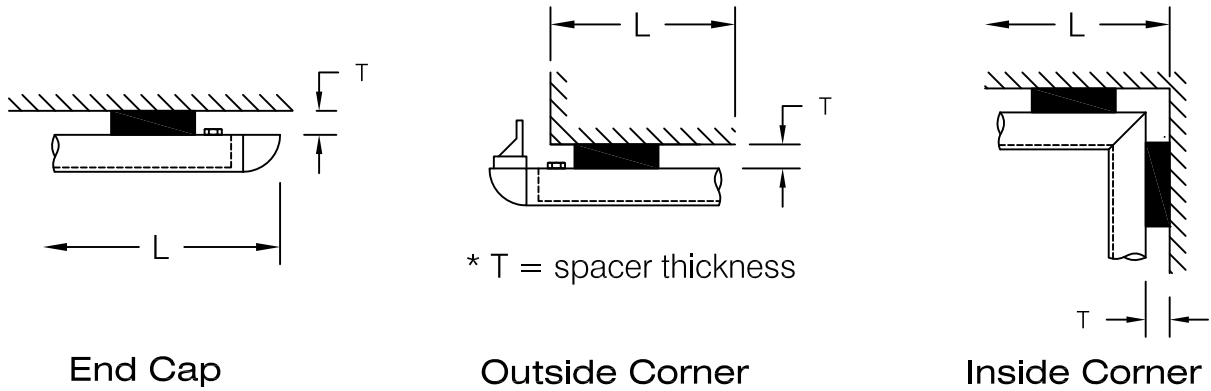


**fig 7a**



**fig 7b**

## Cutting Adjustment Diagrams and Schedule



	Aluminum Retainer	Snap-on Cover
End Cap	$L - 1''$	$L - 3/4''$
Outside Corner	$L + T - 1/4''$	$L + T$
Inside Corner	$L - T$ (field miter)	$L - T$ (field miter)

Important: install aluminum retainer and molded accessories before cutting the snap-on cover.

## Minimum Layout Configurations

